

LED

IP66

-40°C

+50°C



Standard
G3/4" pole mounting



Optional
Ceiling mounting

Application

This product is applicable to fixed lighting in various power distribution chambers, main plants, water pump centers, boiler rooms, passages, catwalks, coal storage, etc.

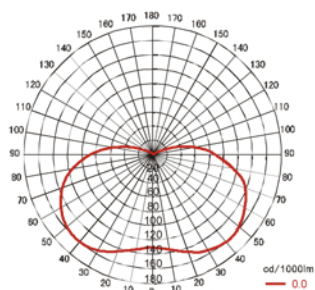
Characteristics

- With the unique light distribution design, make the light well-distributed. Its beam angle can reach 220°. It efficiently utilize the light. Have a good performance of illuminance uniformity, glare free, can avoid eyestrain to the worker.
- The housing is especially designed to dissipate heat. Besides, it uses the thermal transmission to accelerate the heat conduction which increase the efficiency and lifespan of the LED, so that to ensure the 100,000 hours LED lifespan.
- It adopts American CREE LED as light source, can save 60% or more on energy than the metal halide lamp.
- Equipped with world top ranking electrical appliance, ensure the lamp's performance more stable and efficient.
- Easy to install. The chain on the cover make it more safe when maintenance.
- The housing adopts high-tech surface spraying technology, abrasion resistance and resistance to corrosion, waterproof, dustproof, suitable to be used in all kinds of environments.
- 18-43VAC or 18-55VDC is optional for 25W and 40W as customers' requirement.

Main specification

Input Voltage	90-264VAC / 127-370VDC
Frequency	50Hz / 60Hz
Ingress Protection	IP66
Anti Corrosion Grade	WF2
Insulation Grade	I
Space Height Ratio	3.5
Thread	G3/4"
Leading-in cable diameter	φ 8mm - φ 14mm (Ceiling Mounting φ 6mm - φ 8mm)
Dimension	φ 232x185mm
Net Weight	2.2Kg

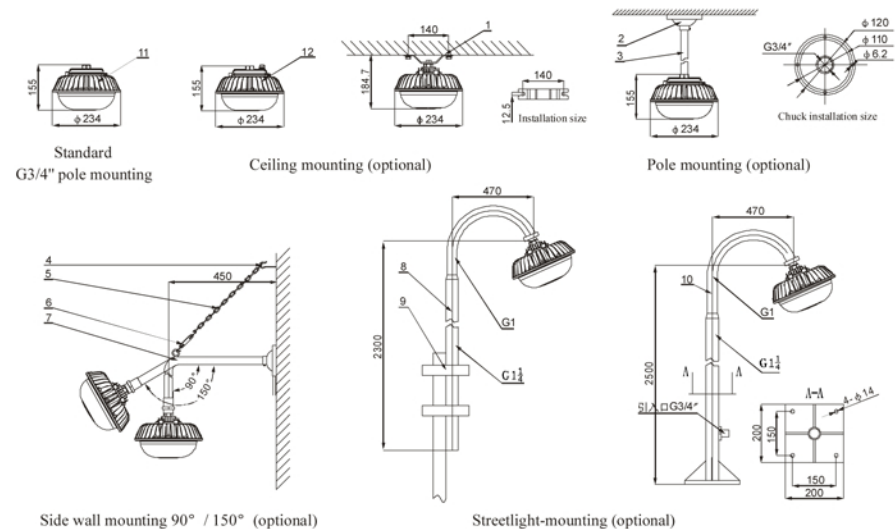
Light distribution curve



Ordering reference

Model Number	Input Voltage	Light source	Rated wattage (W)	Light output (lm)	Equivalent to			
					Metal Halide Lamp	Electrode Less Lamp	Energy Saving Lamp	High pressure mercury lamp
ZY8601-L25	90-264VAC or 127-70VDC	LED	25	3,300	50-70W	50W	60W	80W
ZY8601-L40		LED	40	5,508	100W	85W	120W	125W
ZY8601-L60		LED	60	7,128	150W	120W	180W	175W
Optional								
ZY8601-L25-D	18-43VAC or 18-55VDC	LED	25	3,300	50-70W	50W	60W	80W
ZY8601-L40-D		LED	40	5,508	100W	85W	120W	125W

Drawing of dimension (Dimensions in mm)



Accessories list (optional)

Number	Name	Quantity	Remark
1	Mounting bracket	1	
2	Chuck	1	G3/4"
3	G3/4" pole	1	The length in accordance with the request of the customer
4	Screw hook	1	
5	Chain	1	
6	Turn buckle	1	
7	G3/4" bend pipe	1	90 degrees and 150 degrees are optional
8	Light pole	1	
9	U-bolts	2	
10	Flanged type pole	1	