

LED

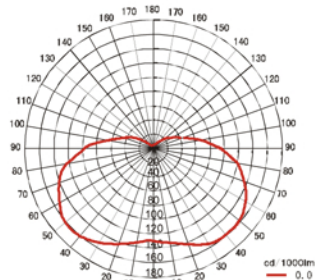


Pole mounting Ceiling mounting

Ex Code: Ex d II C T6 Gb
Standard: GB3836.1, GB3836.2
IEC60079-1:2007,MOD



Light distribution curve



Application

- Ideal to be used in the oilfield, chemical industry, steel industry, power, port, Petroleum etc.
- Harsh environment, moist area.
- Gas explosive environment : Group IIA, IIB, IIC
- Zone 1, Zone2; Zone 21, Zone 22
- Temperature class: T1 to T6

Characteristics

- With the unique light distribution design, make the light well-distributed. Its beam angle can reach 220°. It efficiently utilize the light. Have a good performance of illuminance uniformity, glare free, can avoid eyestrain to the worker.
- It adopts American CREE LED as light source, can save 60% or more on energy than the metal halide lamp.
- Equipped world top ranking electrical appliance, ensure the lamp's performance more stable and efficient.
- The housing is especially designed to dissipate heat. Besides, it uses the thermal transmission to accelerate the heat conduction which increase the efficiency and lifespan of the LED, so that to ensure the 100,000 hours LED lifespan.
- The lamp is made to the highest explosion proof protection grade: flame proof, so that ensure the lamp can safely used in all kinds of inflammable and explosive places.
- The lamp can be parallel connected, no need to use the junction box.
- The anti corrosion, abrasion proof, power coated cover which is dust proof, water proof, make the lamp an excellent option for all kinds of high stress environment.

Main specification

Input Voltage	90-264VAC / 127-370VDC
Output Voltage	42VDC
Frequency	50Hz / 60Hz
Recharge Time	>5 hours
Ingress Protection	IP66
Anti Corrosion Grade	WF2
Insulation Grade	I
Space Height Ratio	3.5
Thread	G3/4"
Leading-in cable diameter	φ 8mm - φ 14mm
Dimension	φ 240x220mm
Net Weight	5Kg

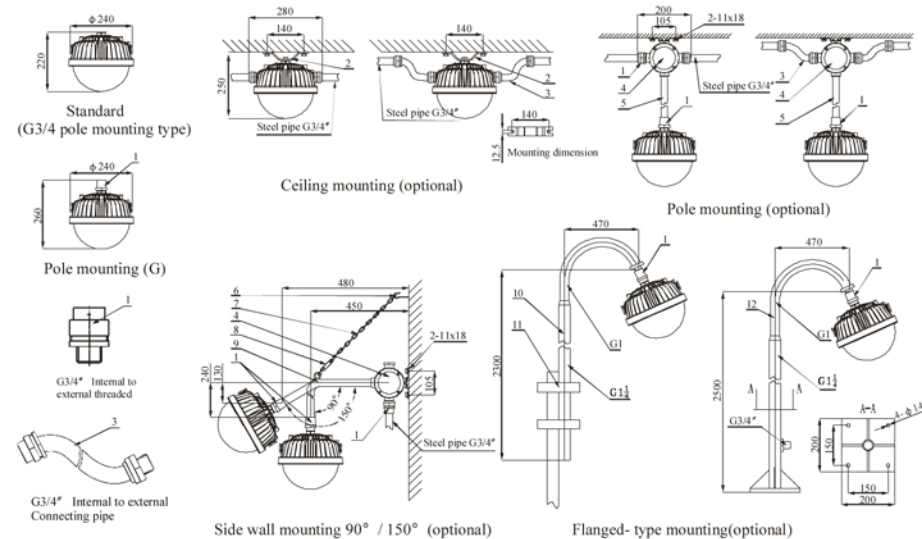
Ordering reference

Model No.	Type	Light Source	Normal illuminate Wattage (W)	Emergency Wattage (W)	Emergency Duration (minute)	Emergency Luminous Flux(lm)	Replace
							MH
BC9302A-L25-L15	Normal illuminate + Emergency	LED	25W	15W	120	2,134	35W
BC9302A-L40-L15			40W	15W	120	2,134	35W
BC9302A-L60-L15			60W	15W	120	2,134	35W
BC9302B-L15	Only Emergency	LED	/	15W	120	2,134	35W
BC9302A-L25-L25	Normal illuminate + Emergency	LED	25W	25W	70	3,300	70W
BC9302A-L40-L25			40W	25W	70	3,300	70W
BC9302A-L60-L25			60W	25W	70	3,300	70W
BC9302B-L25	Only Emergency	LED	/	25W	70	3,300	70W

Remark: BC9302A: Under normal condition, BC9302A will use normal external power to illuminate (its rated power can be made to 25W / 40W / 60W). In the case of power outage or in any situation where power is interrupted, this unit will automatically switch to battery backup (lamp wattage can be made to 15W / 25W under emergency mode) which will power the unit for 120 or 70 minutes (15W: 120minutes, 25W: 70minutes).

BC9302B is only applied for emergency lighting when power outage, and on normal condition it is off.

Drawing of dimension (Dimensions in mm)



Accessories list (optional)

Number	Name	Quantity	Remark	Number	Name	Quantity	Remark
1	Explosion proof connector	1	G3/4" internal to external	7	Chain	1	
2	Mounting bracket	1		8	Turn buckle	1	
3	Connecting pipe	2	G3/4" internal to external	9	G3/4" bend pipe	1	90 degrees or 150 degrees
4	Explosion proof junction box	1	G3/4"	10	Light pole	1	
5	G3/4" pole	1	The length is optional	11	U-bolts	2	
6	Screw hook	1		12	Flanged type pole	1	